

R'HAM CO. ADMIN. BUILDING HARRISONBURG, VA.

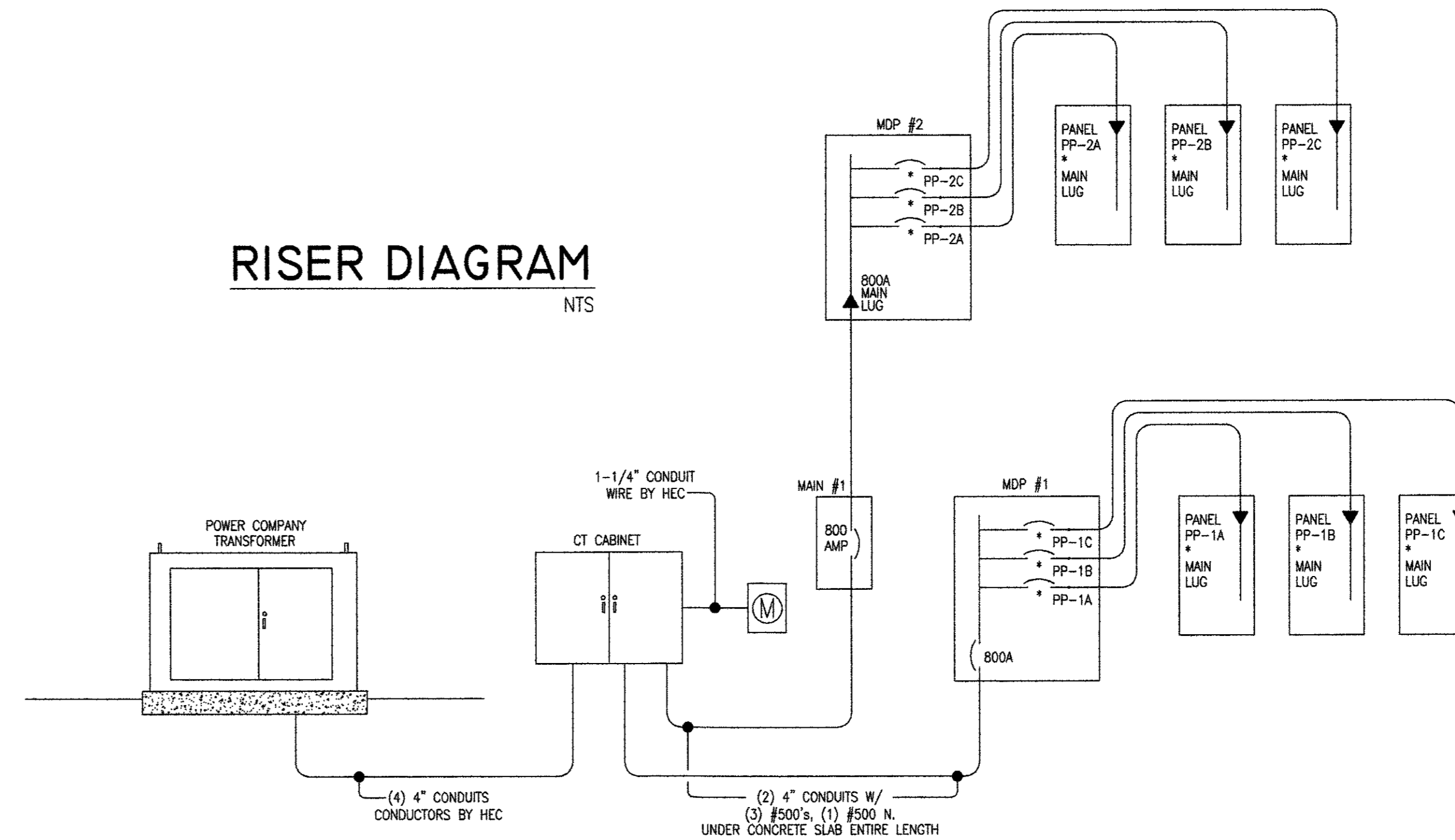


TRUMBO ELECTRIC, INC.

VA #8485 - INDUSTRIAL ELECTRICAL CONTRACTORS - WV #497
258 NORTH TIMBERWAY
POST OFFICE BOX 38
BROADWAY, VA 22815
PHONE (540) 896-7095 FAX (540) 896-9546

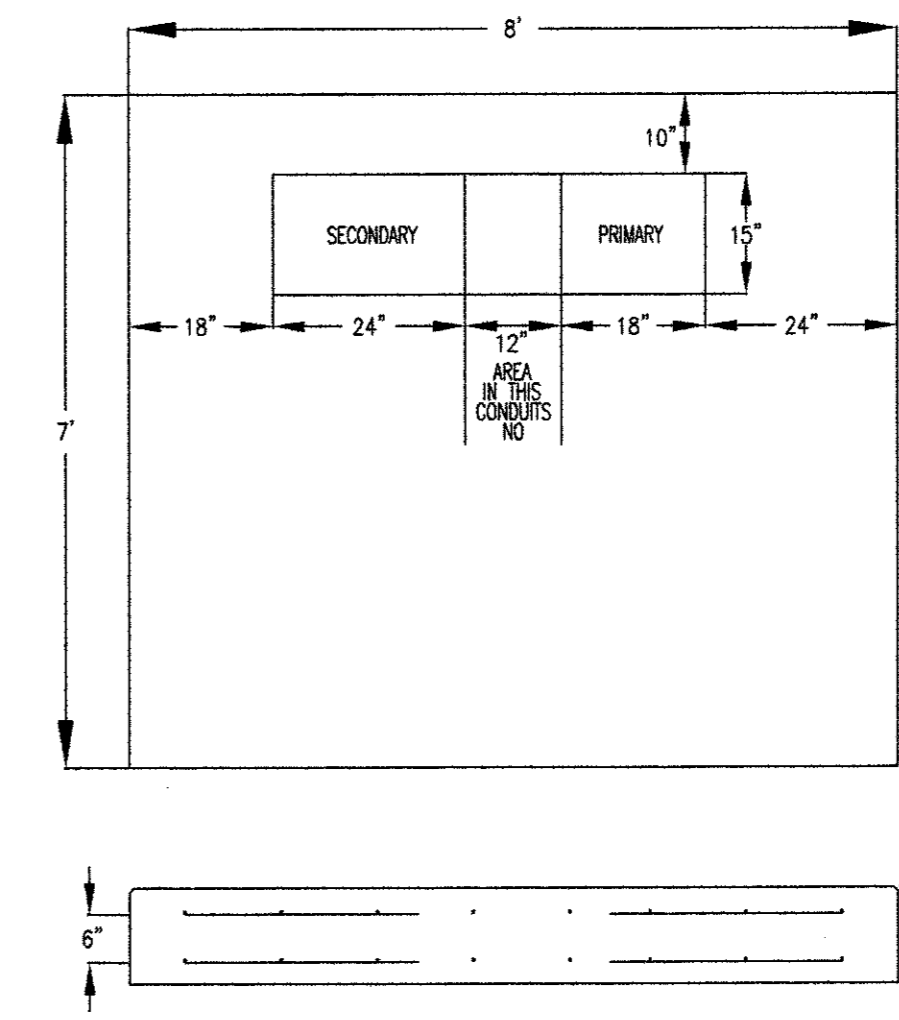
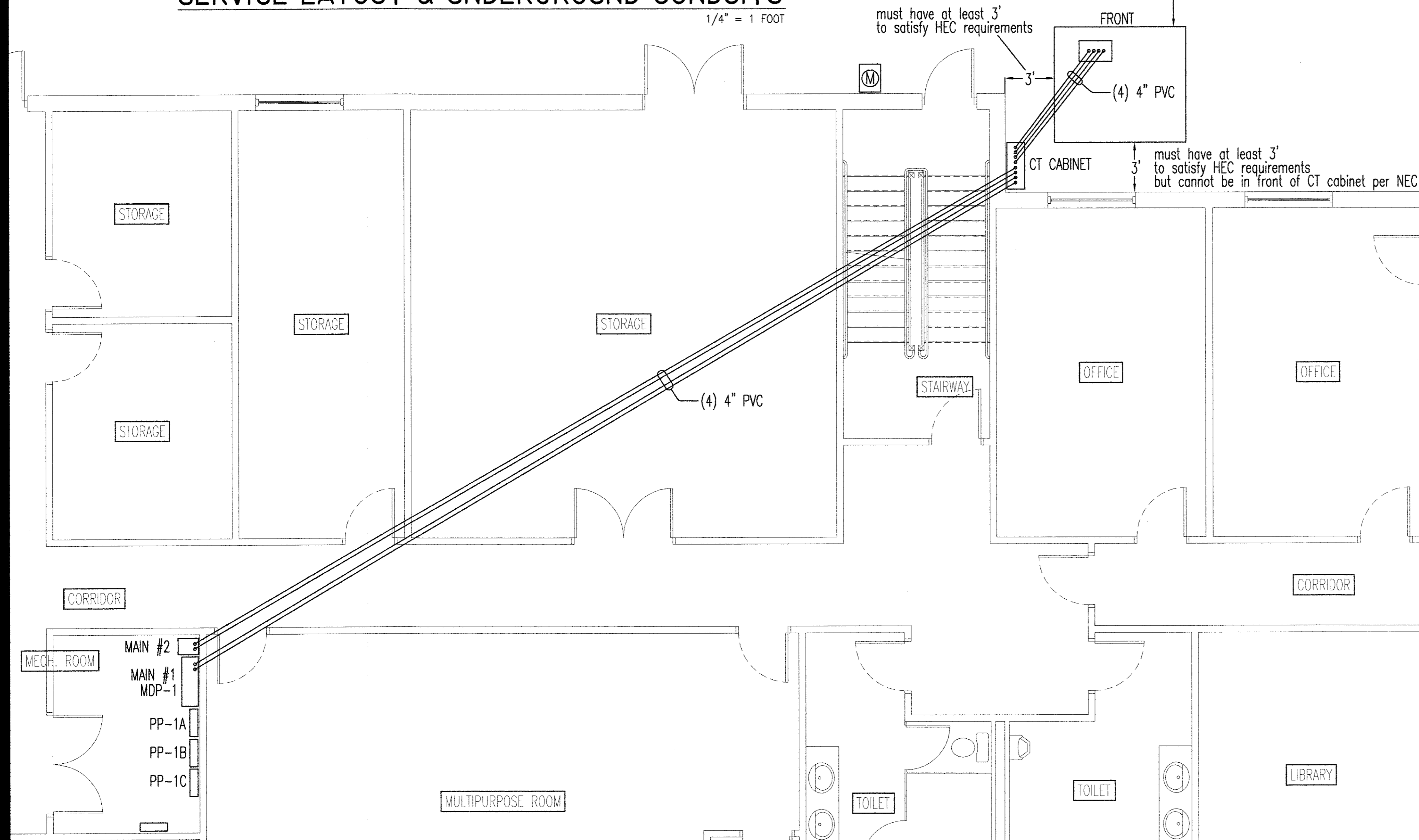
RISER DIAGRAM

NTS



SERVICE LAYOUT & UNDERGROUND CONDUITS

1/4" = 1 FOOT



POWER CO. TRANSFORMER PAD

NTS

- CONCRETE PAD REQUIREMENTS FOR PAD MOUNT TRANSFORMERS
THE CONCRETE PAD IS TO BE FURNISHED BY THE CUSTOMER, TO THESE REQUIREMENTS:
- MINIMUM PAD THICKNESS SHALL BE 12" WITH 3/8" REBAR ON 12" CENTERS, INSTALLED BOTH WAYS THROUGHOUT THE CONCRETE PAD.
 - CORNERS AND EDGES OF FOUNDATION TO BE BEVELED.
 - THE ELEVATION OF THE PAD TOP SHALL BE APPROXIMATELY 4" ABOVE FINISHED GRADE.
 - THE PAD MUST BE LOCATED SUCH THAT THE MINIMUM CLEARANCE BETWEEN THE PAD AND THE STRUCTURES OR FENCES IS 3 FEET ALONG THE SIDES AND BACK AND TEN FEET ALONG THE FRONT. THE AREA MUST BE EASILY ACCESSIBLE BY HEAVY TRUCKS FOR MAINTENANCE.
 - IF THE PAD IS LOCATED IN A TRAFFIC AREA GUARD POSTS MUST BE FURNISHED AND INSTALLED AT THE CORNERS OF THE PAD, AT THE CUSTOMERS EXPENSE.
 - THE NUMBER AND SIZE OF SECONDARY VOLTAGE CONDUITS ARE TO BE DETERMINED AND INSTALLED BY THE CUSTOMER IN THE AREA OUTLINED BELOW. THIS IS A CRITICAL MEASUREMENT AND THE SECONDARY CONDUITS MUST CONFORM TO THIS REQUIREMENT BEFORE A TRANSFORMER WILL BE SCHEDULED FOR INSTALLATION.
 - BEFORE POURING CONCRETE CONTRACTOR SHOULD CONTACT H.E.C. FOR INSPECTION OF FOUNDATION.
 - TRANSFORMER PAD MUST BE LEVEL.

SYMBOLS

- ⊕ DUPLEX RECEPTACLE - PS 5352 OR EQUAL
- ⊕GFI GFCI DUPLEX RECEPTACLE - PS 2091 OR EQUAL
- ⊕GFI GFCI DUPLEX RECEPTACLE - PS 2091 OR EQUAL WITH BUBBLE TYPE RECEPTACLE COVER
- ⊕ QAD QUADPLEX RECEPTACLE - PS 5352 OR EQUAL
- ▲ DATA OUTLET - 3/4" C. STUBBED TO CEILING WIRING BY OTHERS
- ⊙ JUNCTION BOX
- ⊙ EXIT LIGHT
- ⊕ SINGLE POLE SWITCH
- ⊕3 THREE-WAY SWITCH
- M ⊕ WALL MOUNTED OCCUPANCY SENSOR - PS WSP200-1

TRUMBO
 INDUSTRIAL ELECTRICAL CONTRACTORS
 BROADWAY VIRGINIA

REVISION	DATE	DESCRIPTION

HEALTH OF THE DOCUMENT
 PRELIMINARY
 AND NOT FOR RELEASE
 FOR REVIEW ONLY
 No. 39799
 PROFESSIONAL ENGINEER

ROCKINGHAM CO. ADMIN.
 BUILDING

COVER SHEET / RISER
 DIAGRAM

DRAWING FILE:
 DATE: 10/6/07
 SCALE: 1/8" = 1' FOOT UNLESS
 OTHERWISE NOTED
 DRAWN BY: B.S.
 REVIEWED BY:

E-1