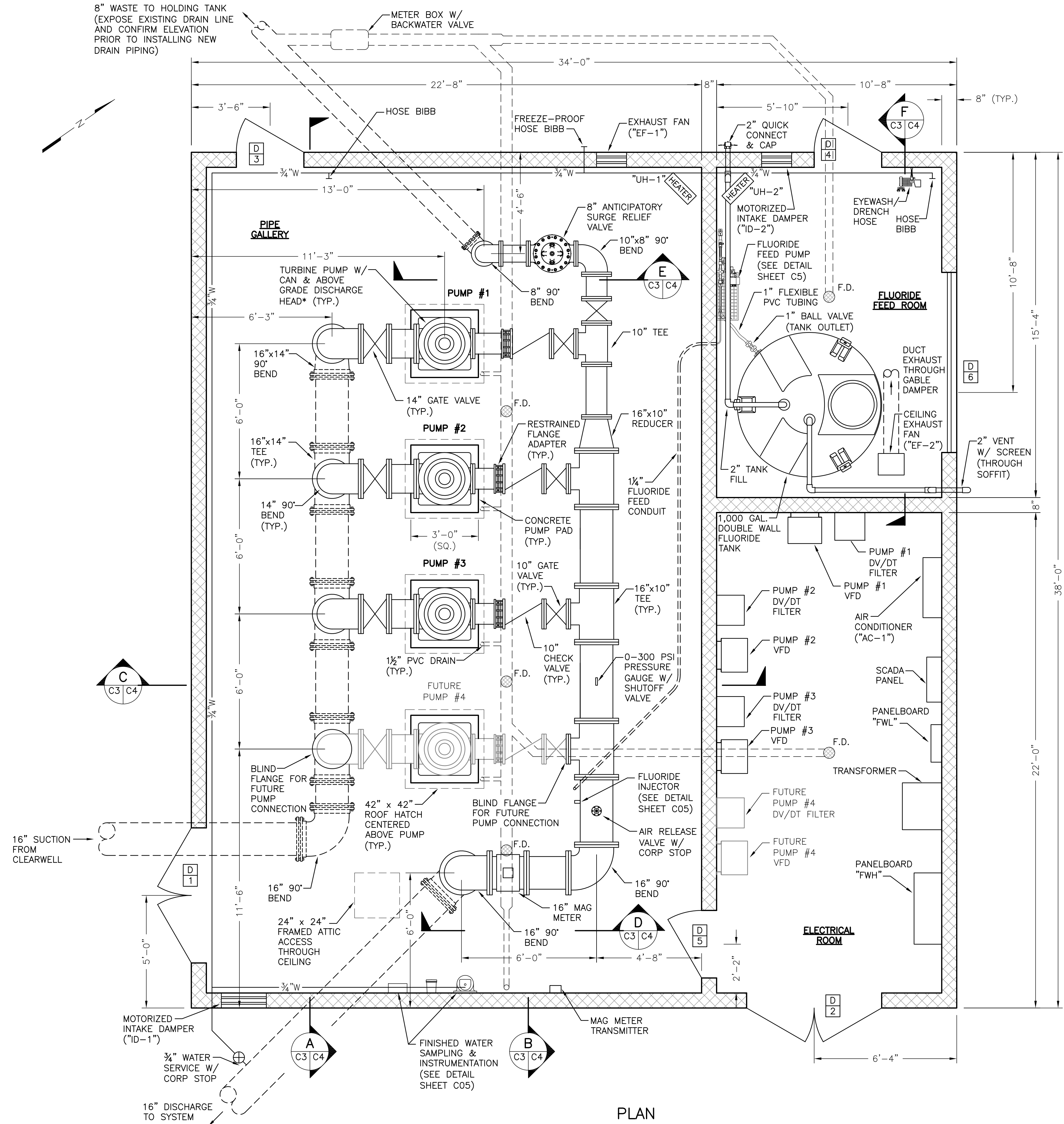


8" WASTE TO HOLDING TANK
(EXPOSE EXISTING DRAIN LINE
AND CONFIRM ELEVATION
PRIOR TO INSTALLING NEW
DRAIN PIPING)



PLAN
3/8" = 1'-0"

NOTES:

- OWNER IS PROCURING TURBINE PUMPS (INCLUDING DISCHARGE HEAD & CANS) DIRECTLY. SUPPLIER SCOPE INCLUDES FURNISHING MATERIALS SHOWN (MARKED), DELIVERY TO SITE, AND STARTUP ASSISTANCE. CONTRACTOR WILL BE RESPONSIBLE FOR UNLOADING EQUIPMENT, PERFORMING INSTALLATION, SCHEDULING AND COMPLETING EQUIPMENT STARTUP, AND RELATED TASKS.
- GRADE FINISHED GROUND TO PROVIDE POSITIVE SLOPE AWAY FROM BOOSTER STATION IN ALL DIRECTIONS. FINISHED GRADE TO BE APPROXIMATELY 6" BELOW SLAB ON ALL SIDES.
- SLOPE SLAB TO FLOOR DRAIN AT MINIMUM 1/16" PER FOOT SLOPE.
- PROVIDE CONCRETE THRUST BLOCKS AT ALL PRESSURE PIPE FITTINGS BENEATH SLAB. PROVIDE RESTRAINED JOINT FITTINGS ON ALL BURIED PRESSURE PIPE FITTINGS.
- PROVIDE PIPE SUPPORTS BENEATH ALL PIPING AT MAXIMUM 5' O.C.
- DOOR LOCK TO BE STANDARD COUNTY MODEL, KEYED TO MATCH MASTER KEY.
- CONCRETE ENTRANCE PADS AT ALL SWING DOORS SHALL BE MINIMUM 4" CONCRETE ON MINIMUM 4" STONE EXTENDING 12" BEYOND EACH DOOR JAMB. INSTALL 6X6 W2.1 x W2.1 WOVEN WIRE FABRIC WITHIN ENTRANCE PAD.
- INTERIOR WALLS & CEILING TO BE PAINTED PRIOR TO INSTALLING CONDUIT, FIXTURES, OR ANY WALL MOUNTED PLUMBING OR EQUIPMENT.
- ALL CONDUIT PENETRATIONS TO FLUORIDE FEED ROOM SHALL BE SEALED GAS TIGHT.

DOOR SCHEDULE

MARK	DOOR			MATERIAL	TYPE	HAND	FRAME MATERIAL	QTY	NOTES
	WIDTH	HEIGHT	THICKNESS						
1	6'-0"	6'-8"	1 3/4"	METAL	EXTERIOR DOUBLE	LEFT	METAL	1	2'x3'-2" WINDOW 3'-4" A.F.F., PASSIVE LEFT LEAF
2	6'-0"	6'-8"	1 3/4"	METAL	EXTERIOR DOUBLE	LEFT	METAL	1	2'x3'-2" WINDOW 3'-4" A.F.F., PANIC HARDWARE, PASSIVE LEFT LEAF
3	3'-0"	6'-8"	1 3/4"	METAL	EXTERIOR	RIGHT	METAL	1	2'x3'-2" WINDOW 3'-4" A.F.F.
4	3'-0"	6'-8"	1 3/4"	METAL	EXTERIOR	RIGHT	METAL	1	2'x3'-2" WINDOW 3'-4" A.F.F., PANIC HARDWARE
5	3'-0"	6'-8"	1 3/4"	METAL	EXTERIOR	LEFT	METAL	1	2'x3'-2" WINDOW 3'-4" A.F.F., PANIC HARDWARE
6	8'-0"	8'-0"	1 3/8"	METAL	ROLL-UP	-	METAL	1	

* ALL SWING DOOR CLOSURES SHALL HAVE HOLD OPEN STOPS

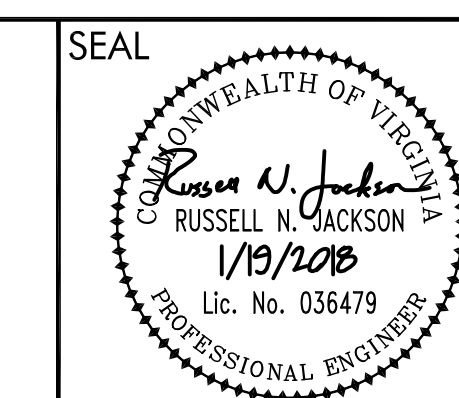
HVAC SCHEDULE

ID	TYPE	RATING	ROUGH OPENING*		BASE HEIGHT ABOVE FLOOR	NOTES
			WIDTH	HEIGHT		
EF-1	EXHAUST FAN	800 CFM @ 0.1" W.G.	1'-4"	1'-4"	6'-8"	SIDEWALL DIRECT DRIVE PROPELLER FAN W/ DAMPER, BIRD SCREEN, & OSHA MOTOR SIDE GUARD
EF-2	EXHAUST FAN	240 CFM @ 0.1" W.G.	1'-4"	1'-4"	-	CEILING EXHAUST FAN W/ DUCT TO OUTLET DAMPER
ID-1	INTAKE DAMPER	-	1'-4"	1'-4"	1'-4"	MOTORIZED DAMPER W/ BIRD SCREEN. POWERED W/ EXHAUST FAN "EF-1"
ID-2	INTAKE DAMPER	-	2'-0"	2'-0"	1'-4"	MOTORIZED DAMPER W/ BIRD SCREEN. POWERED W/ EXHAUST FAN "EF-2"
AC-1	AIR CONDITIONER UNIT	12,000 BTUH	-	-	7'-0"	DUCTLESS MINI-SPLIT SYSTEM W/ HEAT AND REMOTE WALL MOUNT THERMOSTAT
UH-1	UNIT HEATER	38,200 BTUH	-	-	7'-0"	MOUNT FROM CEILING/WALL BRACKET. INCLUDE REMOTE WALL MOUNT THERMOSTAT.
UH-2	UNIT HEATER	7,500 BTUH	-	-	7'-0"	MOUNT FROM CEILING/WALL BRACKET. INCLUDE REMOTE WALL MOUNT THERMOSTAT.

* CONTRACTOR TO CONFIRM ALL ROUGH OPENING DIMENSIONS AS REQUIRED FOR PROVIDED HVAC EQUIPMENT

Peed & Bortz, L.L.C.
CIVIL & ENVIRONMENTAL ENGINEERS
20 MIDWAY PLAZA DRIVE - SUITE 100
CHRISTIANSBURG, VIRGINIA 24073
PHONE: (540) 394 - 3214 FAX: (540) 394 - 3215

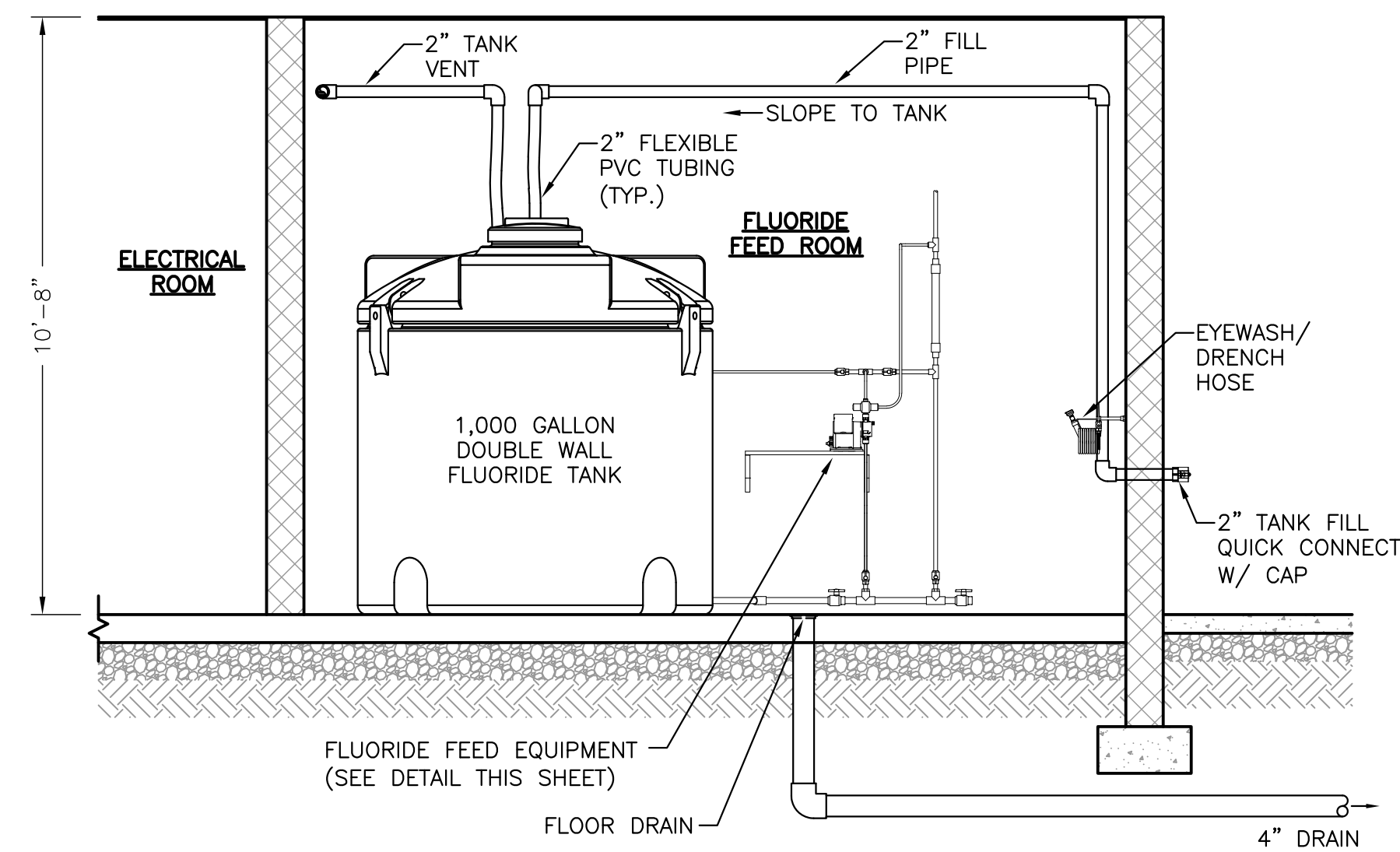
THREE SPRINGS WATER TREATMENT PLANT
FINISHED PUMPING STATION
ROCKINGHAM COUNTY VIRGINIA



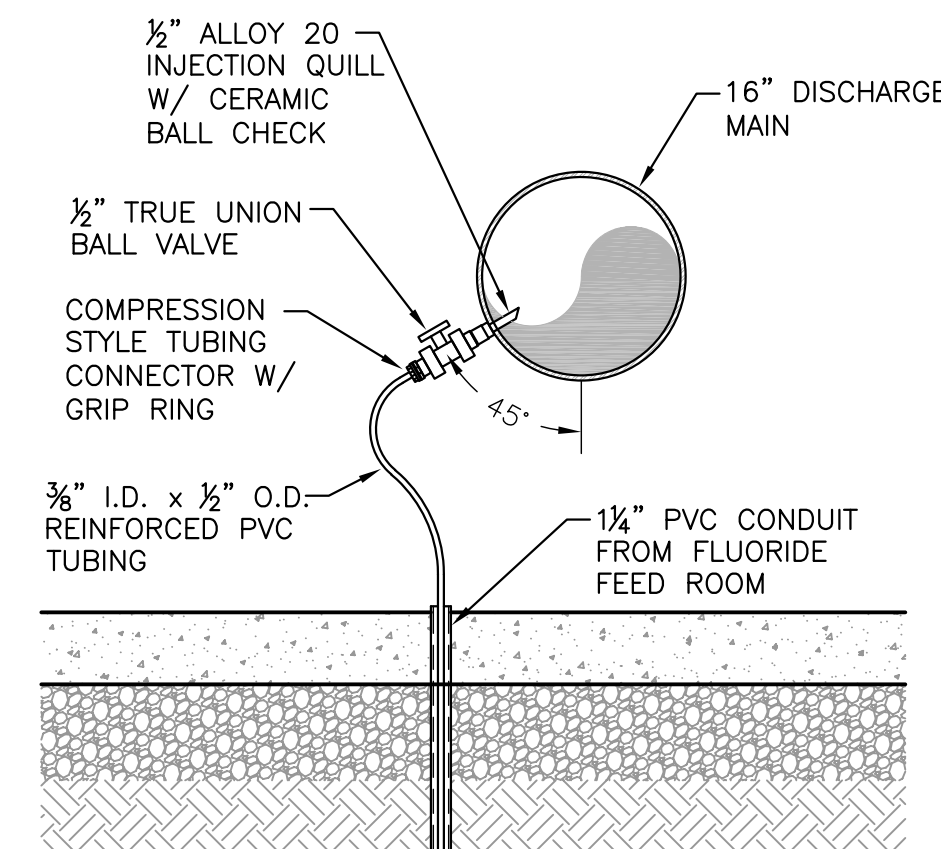
DRAWN BY:
RNJ
REVIEW BY:
MDJ
DATE:
25 APR 2017
REVISION:
19 JAN 2018

DWG DESCRIPTION:
STATION PLAN

C03



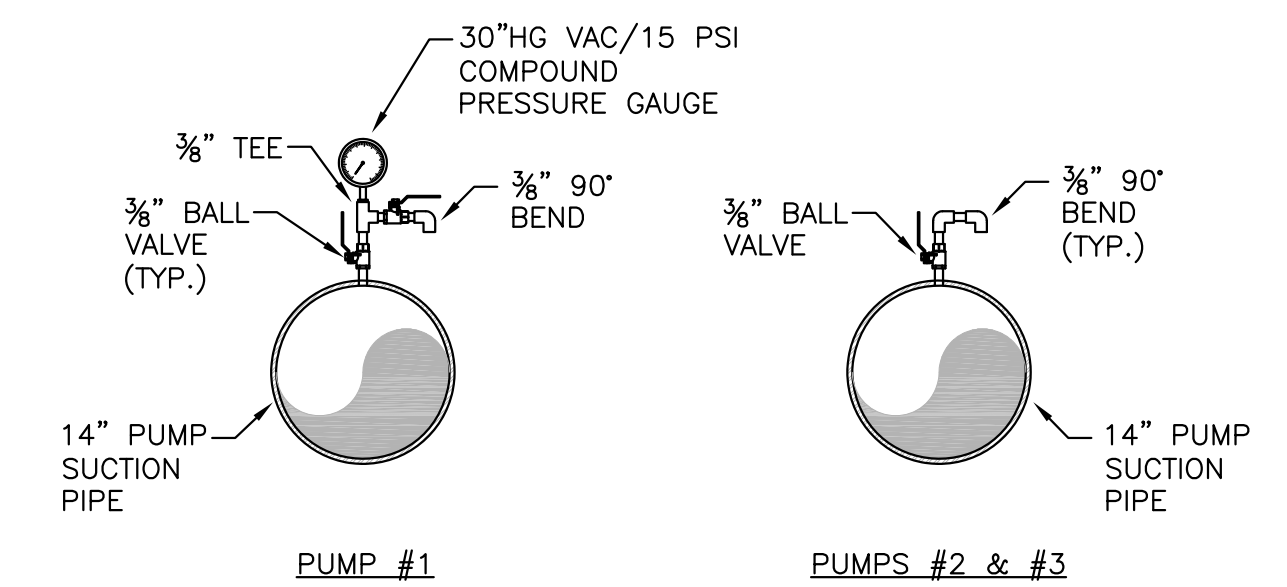
SECTION F
3/8"=1'-0"



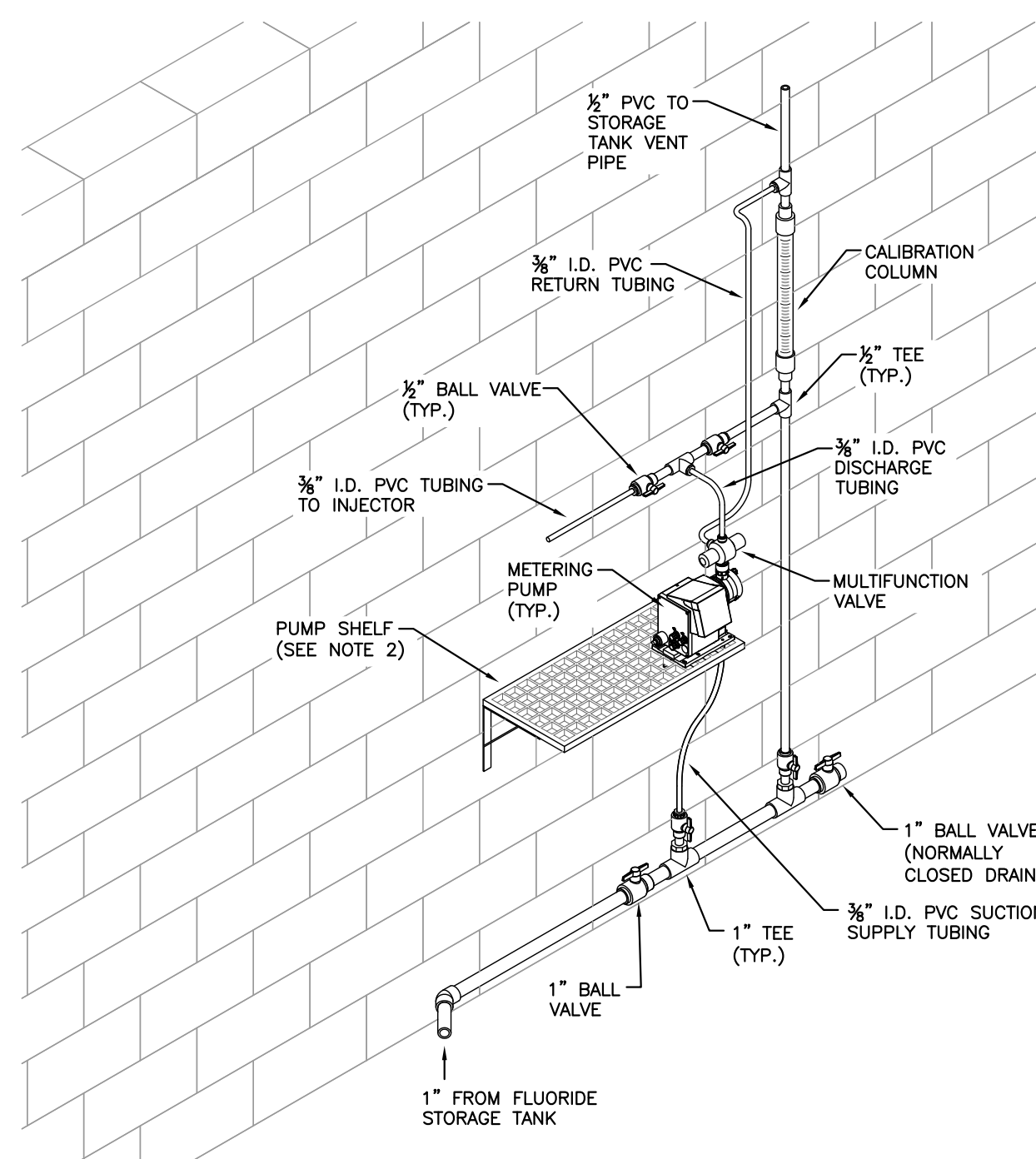
FLUORIDE INJECTION DETAIL
3/4"=1'-0"

NOTES:

- CONTRACTOR SHALL INSTALL AN ADDITIONAL INJECTION QUILL WITH BALL CHECK AND BALL VALVE APPROXIMATELY 6" FROM FLUORIDE INJECTOR ON SAME PIPE. SECOND INJECTOR SHALL ALLOW TEMPORARY EMERGENCY CONNECTION OF HYPOCHLORITE FEED, IF EVER DEEMED NECESSARY BY OPERATORS. QUILL, BALL VALVE, AND ALL OTHER PARTS FOR EMERGENCY HYPOCHLORITE FEED INJECTOR SHALL BE 316 STAINLESS STEEL.



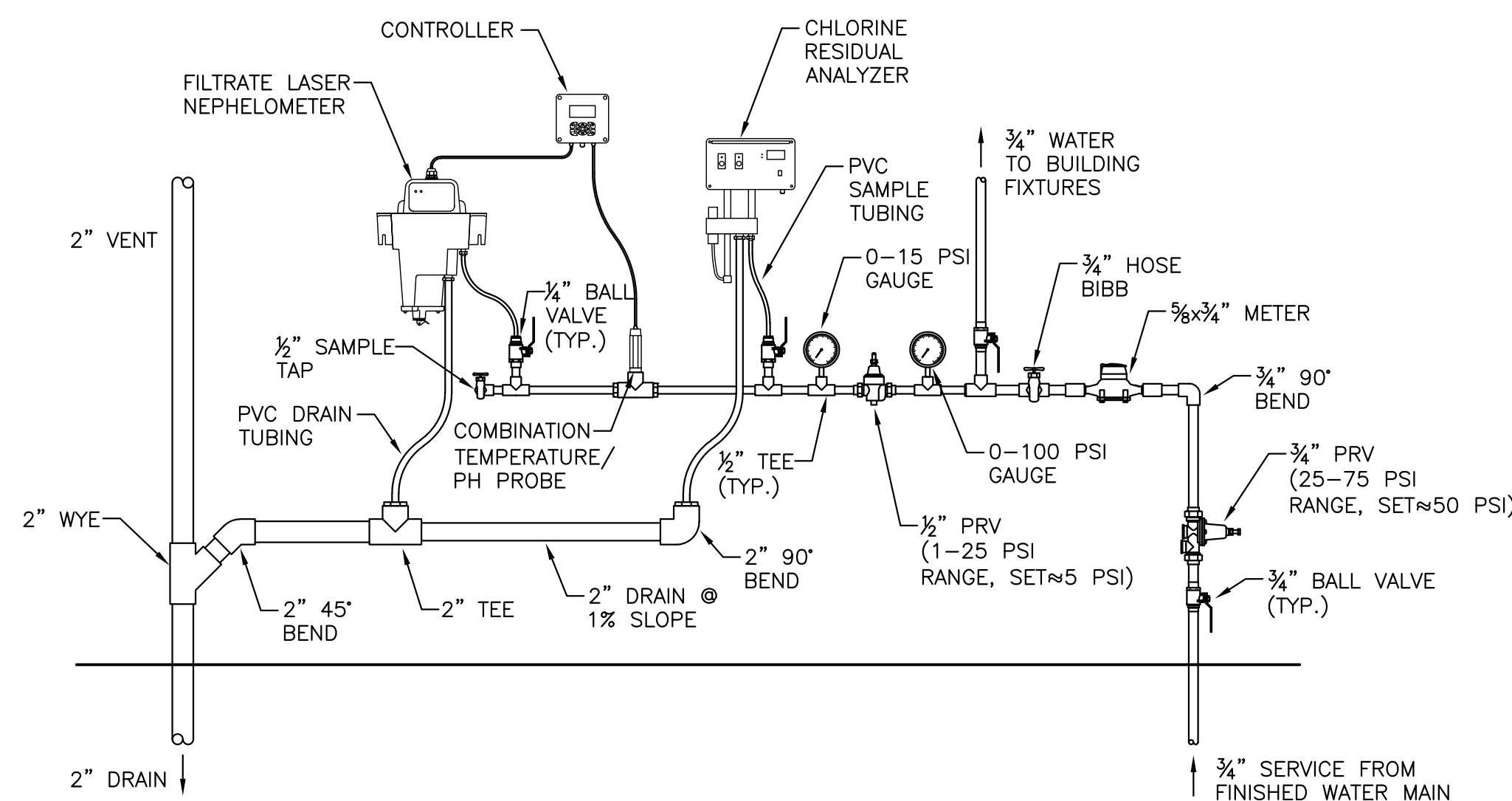
PUMP MANUAL AIR RELEASE DETAIL
3/4"=1'-0"



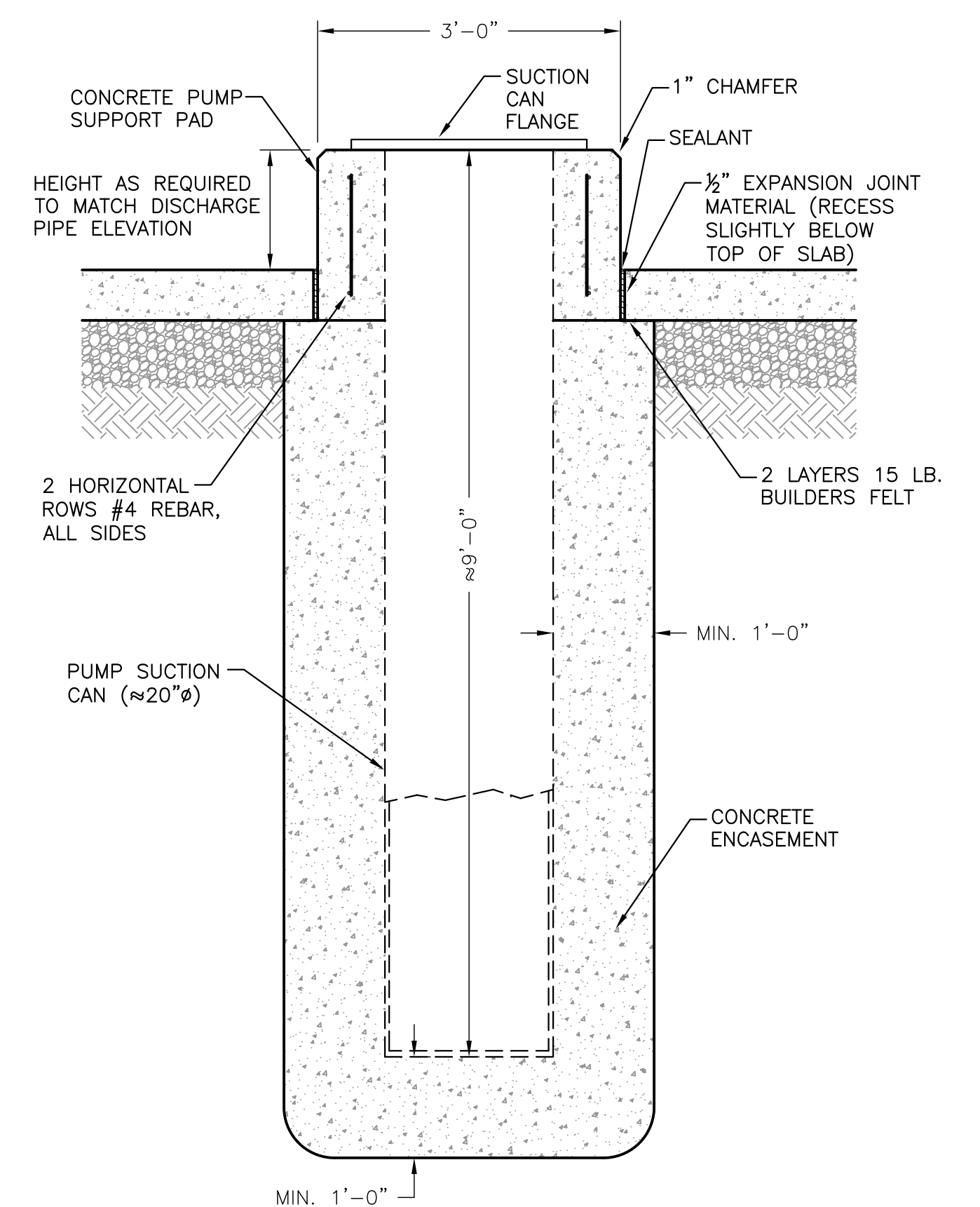
FLUORIDE FEED PUMP DETAIL
NOT TO SCALE

NOTES:

- ALL TUBING CONNECTIONS SHALL BE MADE WITH COMPRESSION FITTINGS WITH GRIP RINGS RATED FOR MINIMUM 250 PSI.
- PUMP MAY BE MOUNTED ON EITHER WALL MOUNTING PLATE SUPPLIED BY METERING PUMP MANUFACTURER OR SHELF CONSTRUCTED FROM FIBERGLASS GRATING AND ANGLE STYLE WALL SUPPORT BRACKETS.



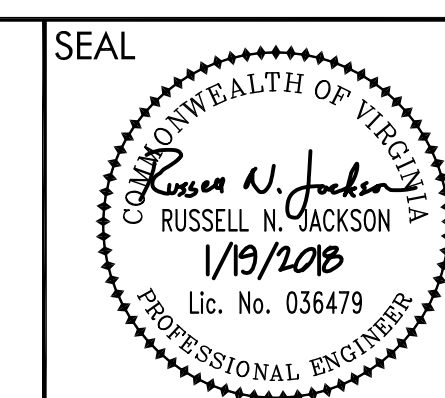
FINISHED WATER SAMPLING & INSTRUMENTATION DETAIL
3/4"=1'-0"



PUMP SUCTION CAN INSTALLATION
3/4"=1'-0"

Peed & Bortz, L.L.C.
CIVIL & ENVIRONMENTAL ENGINEERS
20 MIDWAY PLAZA DRIVE - SUITE 100
CHRISTIANSBURG, VIRGINIA 24073
PHONE: (540) 394 - 3214 FAX: (540) 394 - 3215

THREE SPRINGS WATER TREATMENT PLANT
FINISHED PUMPING STATION
ROCKINGHAM COUNTY VIRGINIA



DRAWN BY: RNJ
REVIEW BY: MDJ
DATE: 25 APR 2017
REVISION: 19 JAN 2018

DWG DESCRIPTION:
SECTIONS & DETAILS

C05